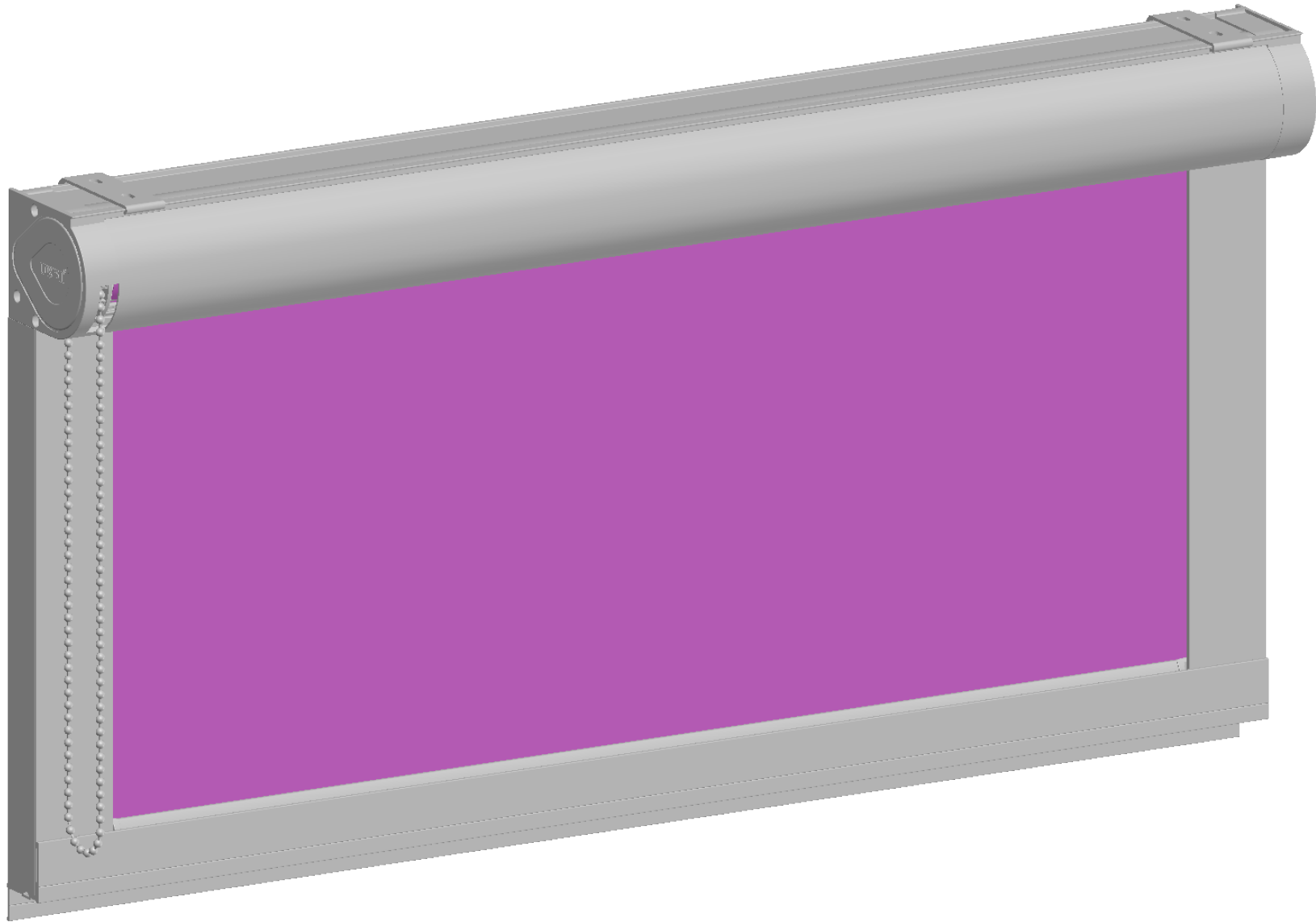
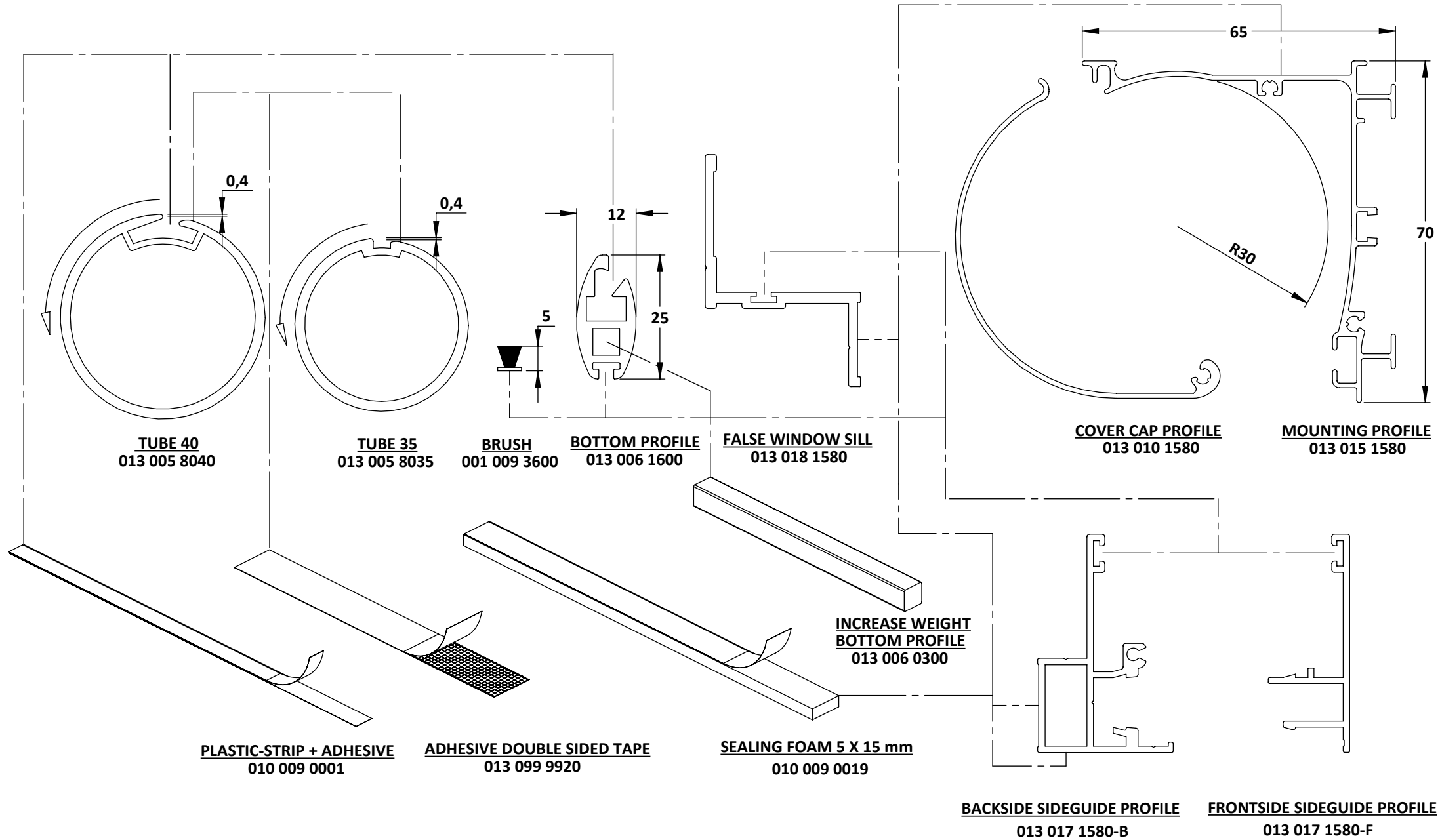


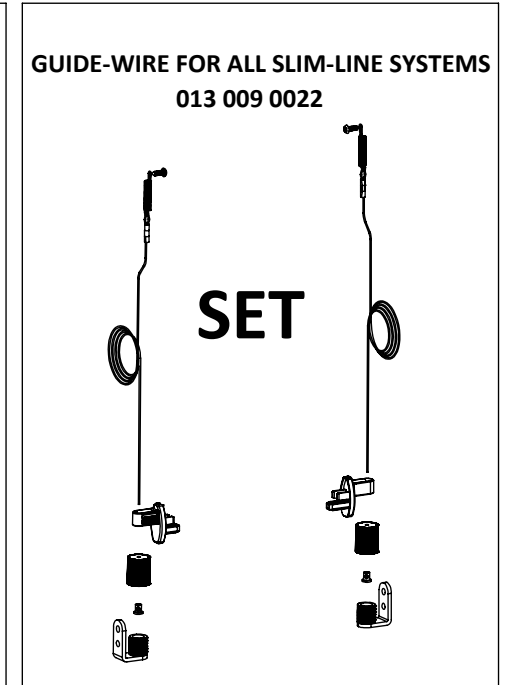
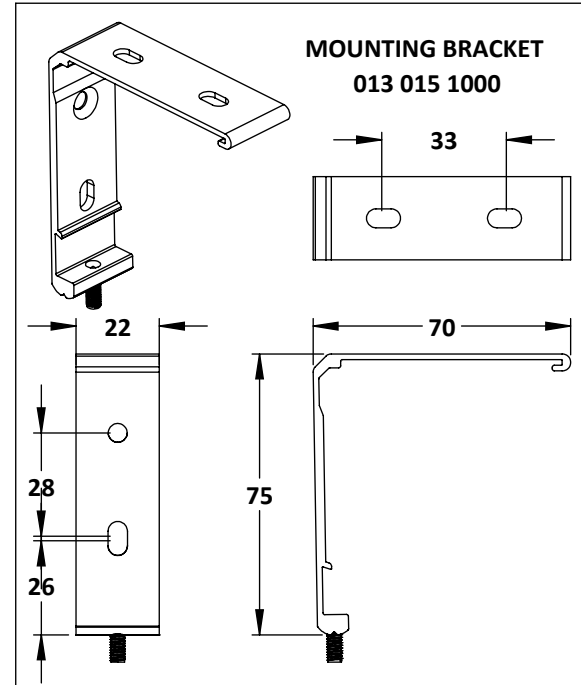
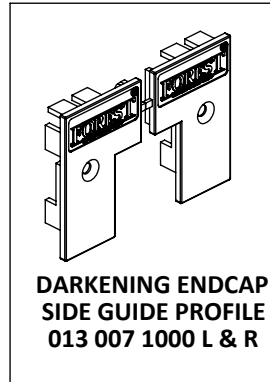
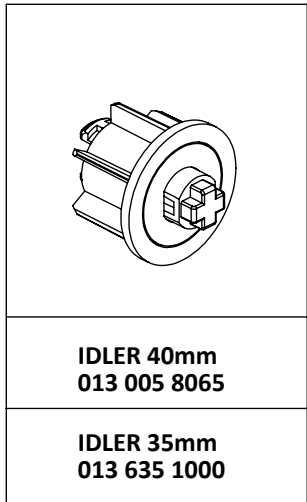
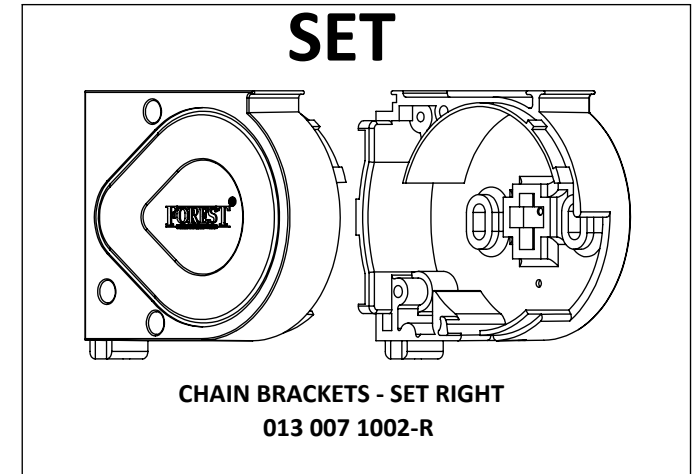
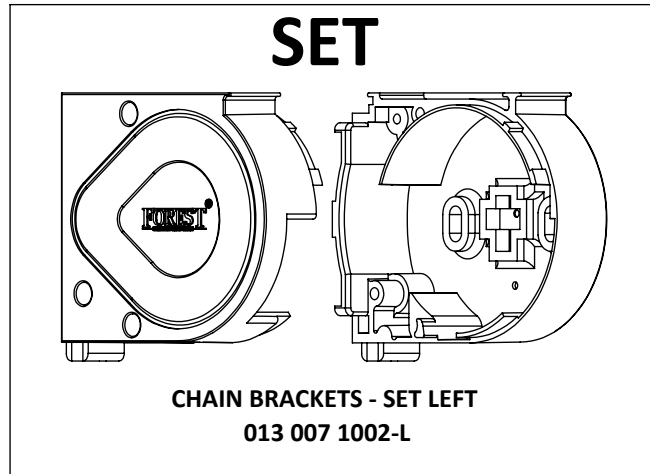
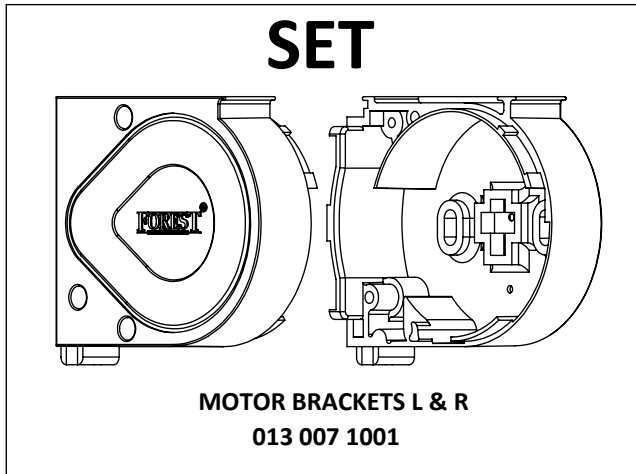
ATLANTIS ROLLER BLIND SLIM LINE-DARKENING
PROFILE, PART INFORMATION AND SPECIFICATION



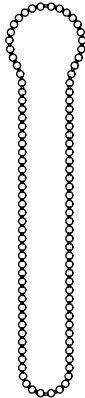
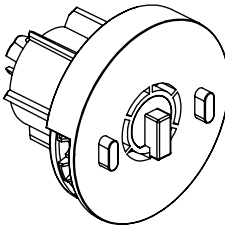
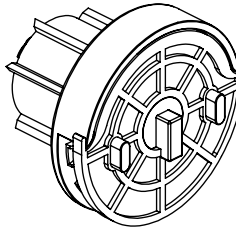
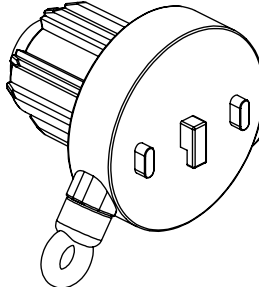
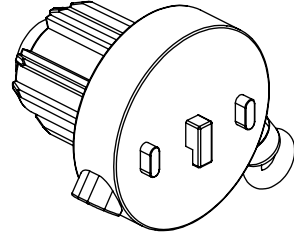
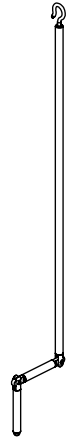
PROFILE-INFORMATION SLIM-LINE-DARKENING

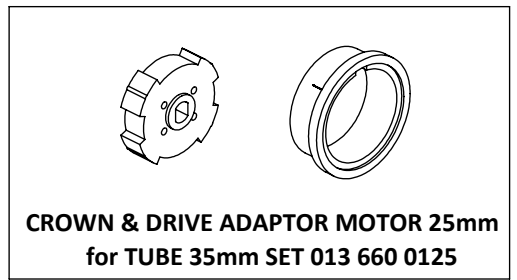


PART-INFORMATION SLIM-LINE-DANKENING



OPERATION-INFORMATION SLIM-LINE-DARKENING

<p>CHROMED METAL CHAIN 367 000 3100 ROL 150 MTR</p> <p>367 000 7150 ENDLESS 0,75 367 000 7200 1,00 367 000 7250 1,25 367 000 7300 1,50 367 000 7350 2,00 367 000 7400 2,50 367 000 7450 3,00</p>						
<p>STAINLESS STEEL CHAIN 367 000 8100 ROL 150 MTR</p> <p>367 000 8150 ENDLESS 0,75 367 000 8200 1,00 367 000 8250 1,25 367 000 8300 1,50 367 000 8350 2,00 367 000 8400 2,50 367 000 8450 3,00</p>		<p>CHAIN-CONTROL 1:2 40mm 013 600 1012</p>	<p>CHAIN-CONTROL 1:1 40mm 013 600 1111</p>	<p>CRANK-CONTROL 1-2,5 40mm 013 600 1000-R</p>	<p>CRANK-CONTROL 1-2,5 40mm 013 600 1000-L</p>	
		<p>CHAIN-CONTROL 1:2 35mm 013 635 1012</p>	<p>CHAIN-CONTROL 1:1 35mm 013 635 1011</p>	<p>CRANK-CONTROL 1-2,5 35mm 013 635 1000-R</p>	<p>CRANK-CONTROL 1-2,5 35mm 013 635 1000-L</p>	<p>CRANK-ROD 150 cm 013 601 1150</p>

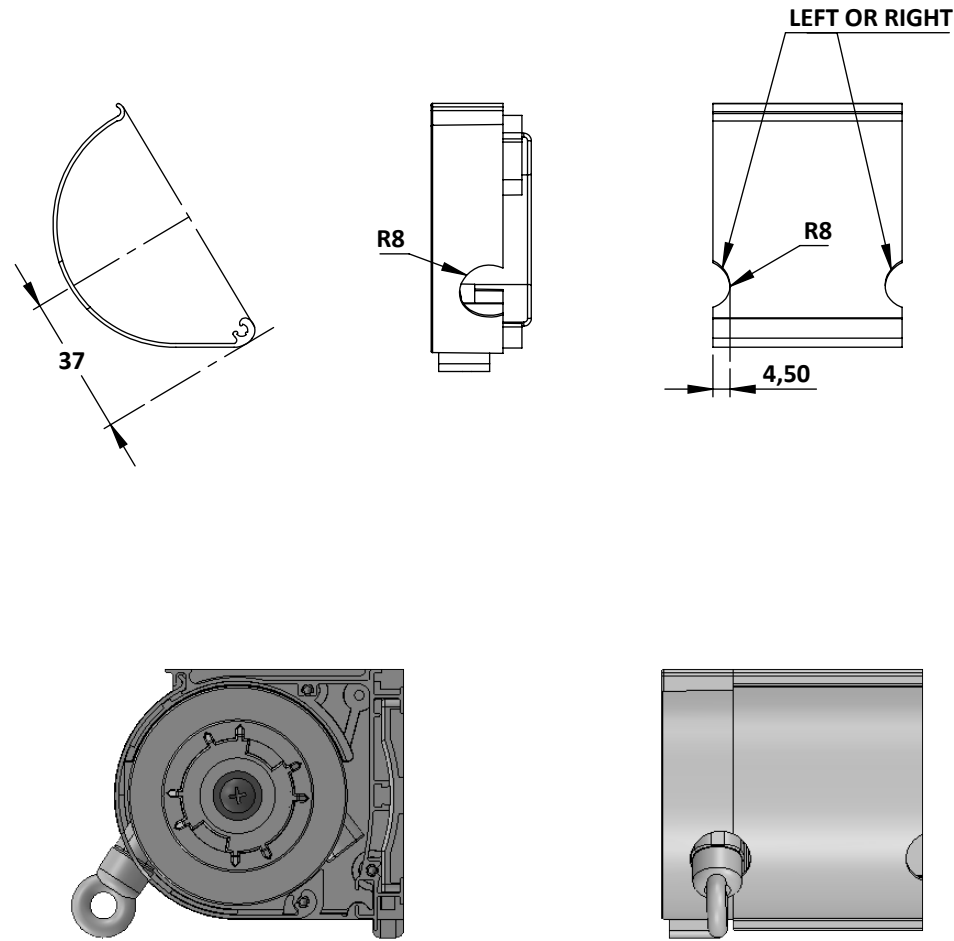


FABRIC 0,3 mm	MAX. HEIGHT	MAX. M ²
TUBE 35	450 cm	9
TUBE 40	390 cm	9

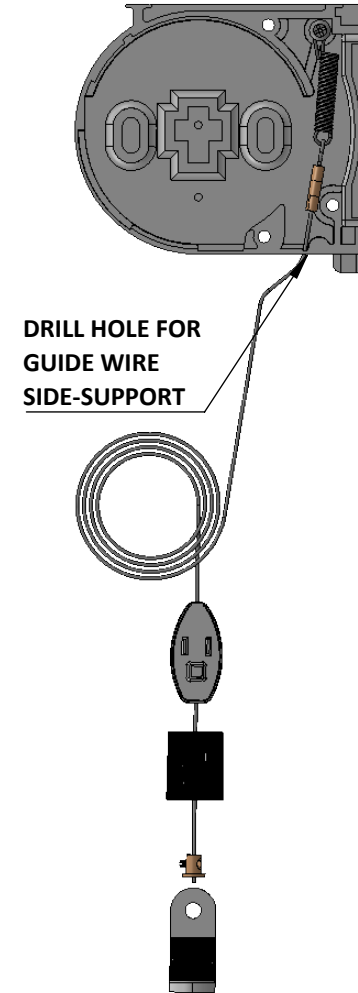
MOTOR CODE	RPM	VOLT	BATTERY	INT.REC	KG / TUBE 35	KG / TUBE 40	MIN WIDTH BLIND	MAX WIDTH 35	MAX WIDTH 40
341 660 0118	32	230		X	3,5	3	55 cm	200 cm	250 cm
341 660 0119	28	12			3,5	3	55 cm		
341 660 0120	28	USB 5	X	X	3,5	3	55 cm		

PREPARATION OPERATION SLIM-LINE-DARKENING

PREPARATION HOLE FOR CRANK OPERATION

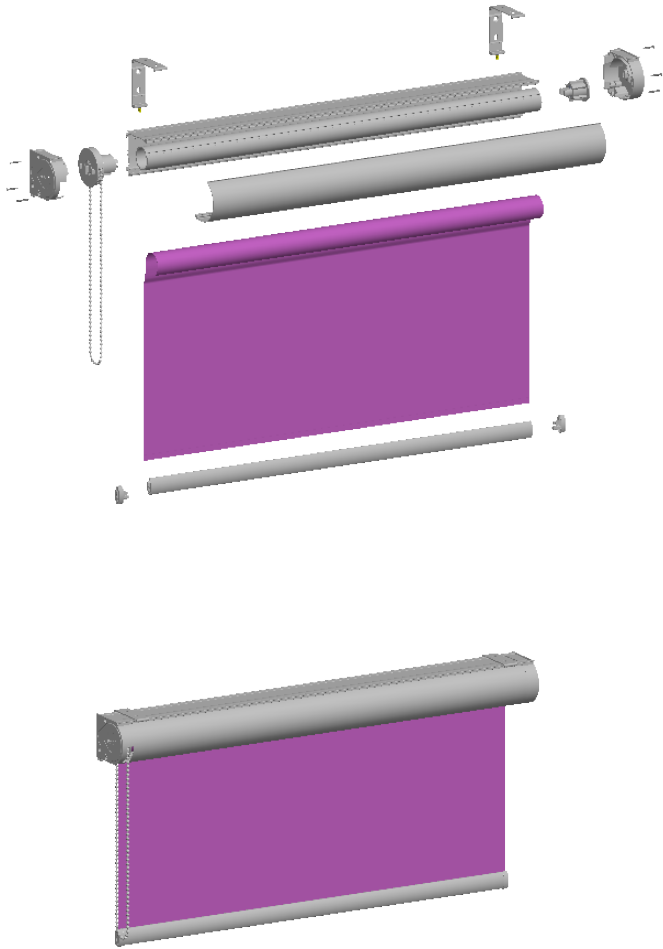


PREPARATION FOR GUIDE WIRE SIDE-SUPPORT

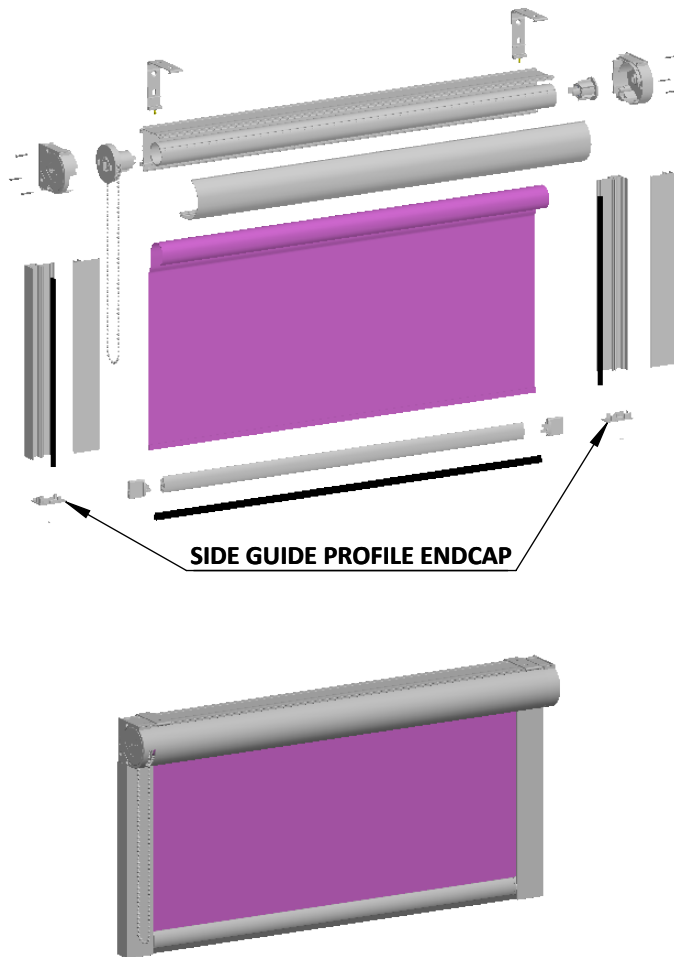


SYSTEM-INFORMATION SLIM-LINE-DARKENING

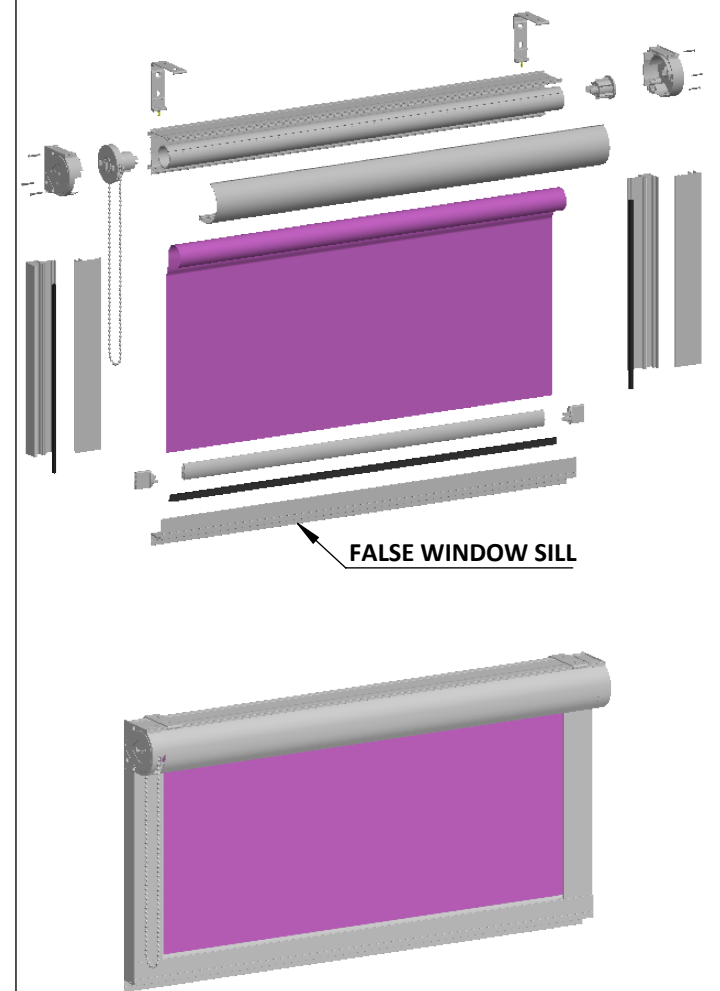
ATLANTIS SLIM LINE CASSETTE WITHOUT SIDE GUIDE



SLIM-LINE-DARKENING WITH SIDE GUIDE & SIDE GUIDE PROFILE ENDCAPS



SLIM-LINE-DARKENING WITH SIDE GUIDE & FALSE WINDOW SILL

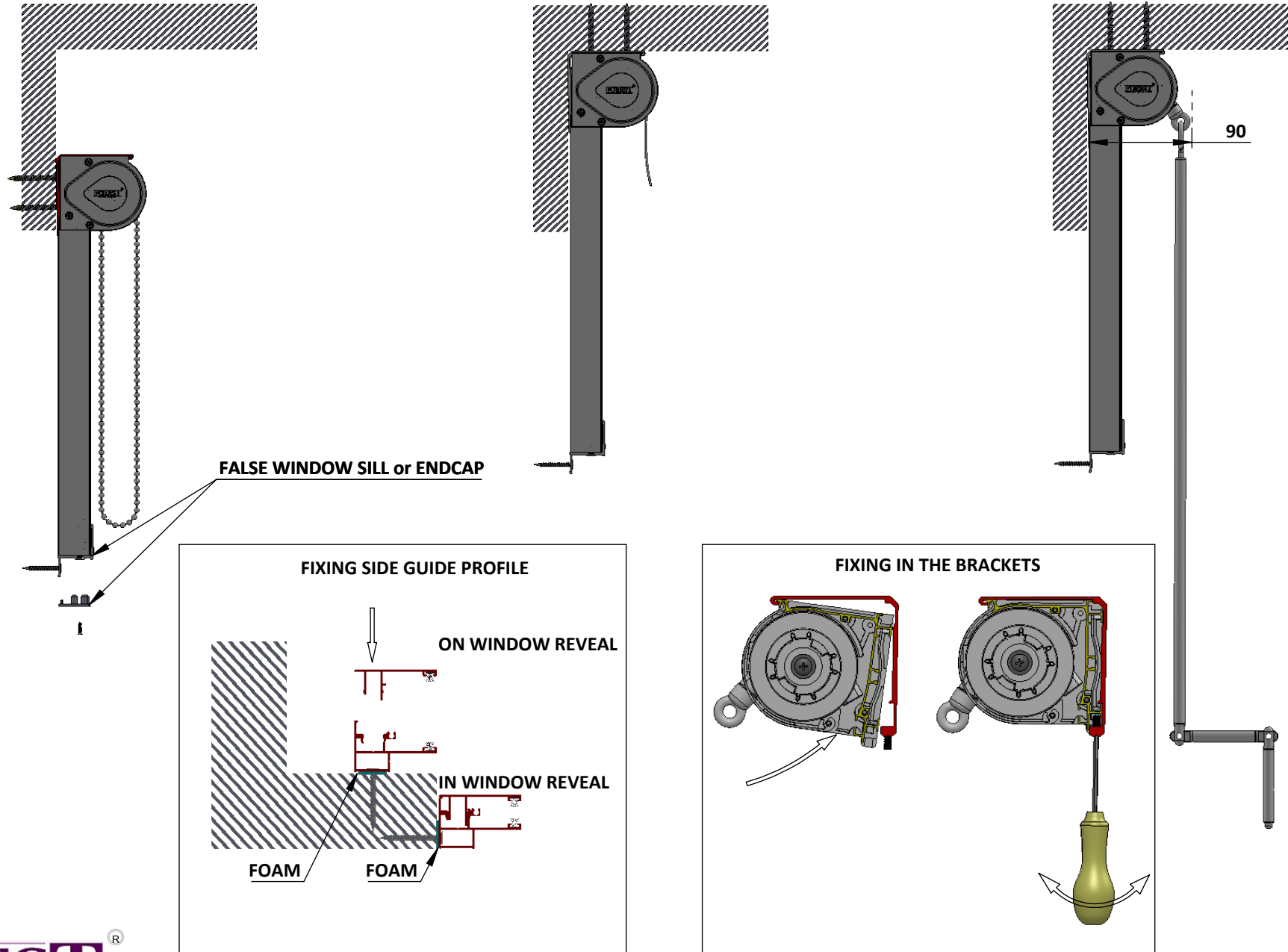


FITTING OPTIONS WITH CHAIN, MOTOR or CRANK OPERATION

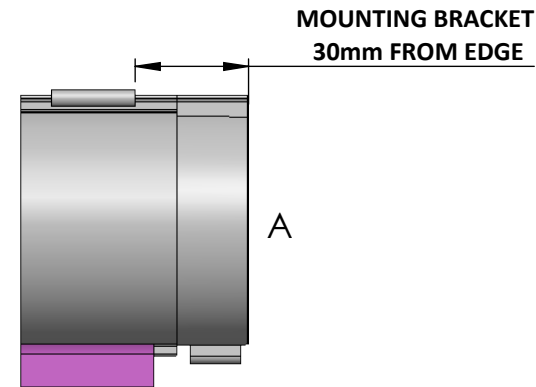
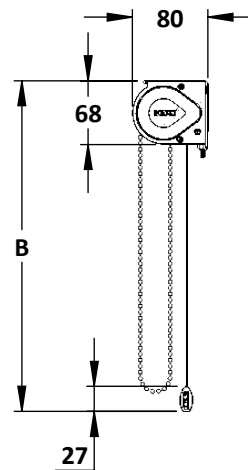
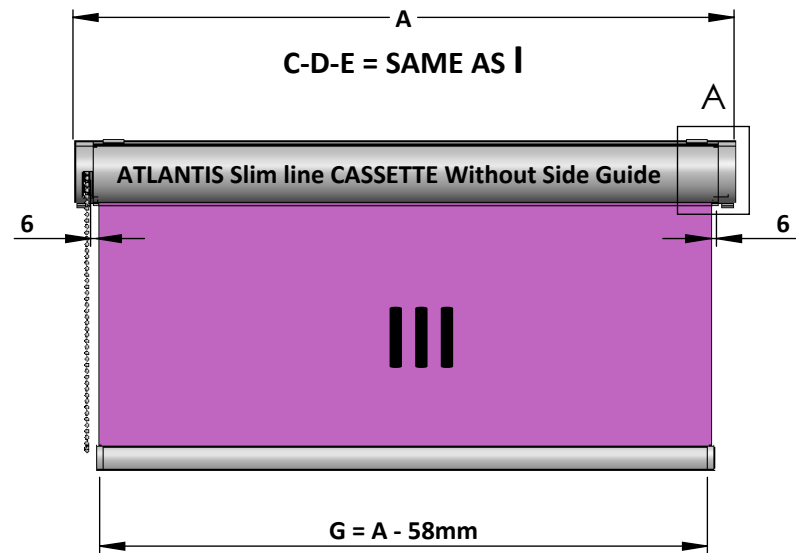
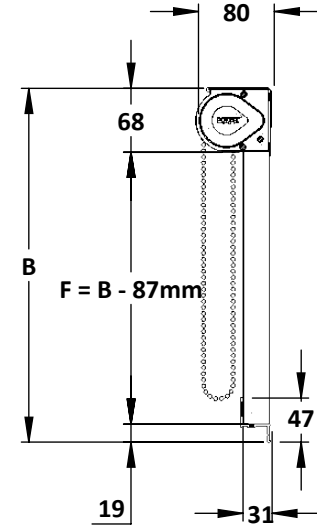
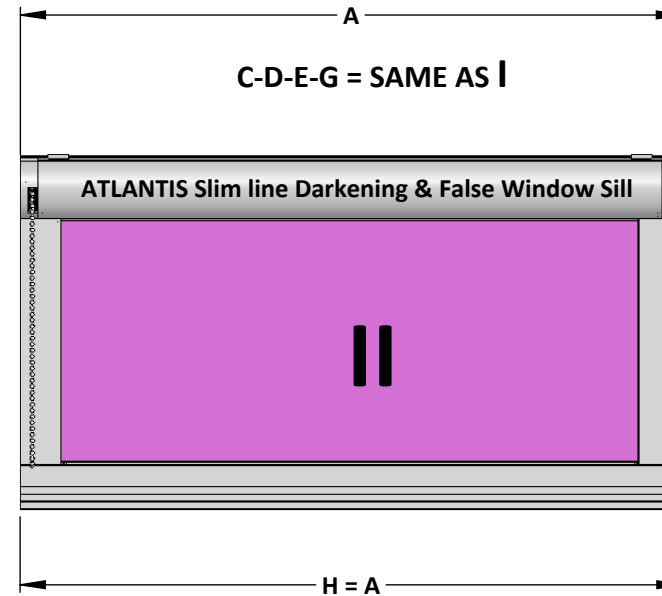
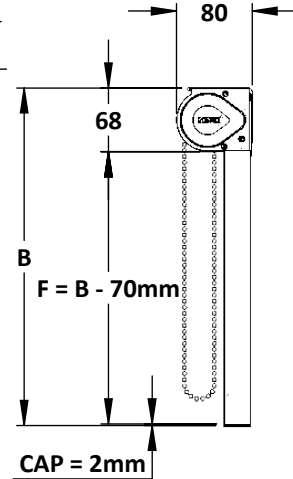
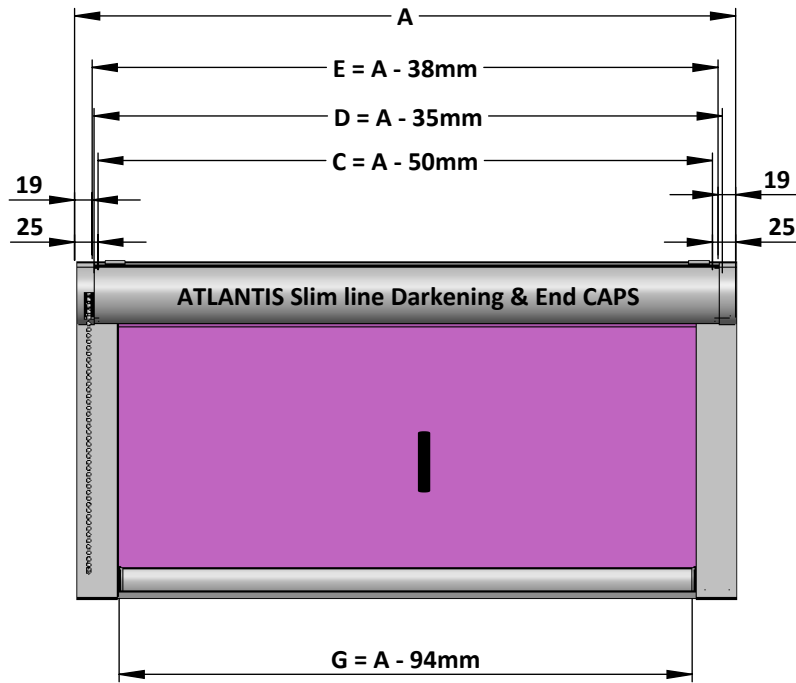
WALL FITTING DARKENING SYSTEM

CEILING FITTING DARKENING SYSTEM

CRANK OPERATION



HOW TO MEASURE COMPONENTS FOR ASSEMBLING



- A: SYSTEM WIDTH - WINDOW REVEAL
- B: SYSTEM DROP - WINDOW REVEAL
- C: FABRIC WIDTH
- D: TUBE WIDTH (EXCLUSIVELY IDLER / MOTOR - CHAIN OR CRANK CONTROL)
- E: CASSETTE - CAP & MOUNTING PROFILE
- F: SIDE GUIDE - PROFILE (DARKENING)
- G : BOTTOM-PROFILE
- H: FALSE WINDOW SILL